

Speaker

Model: OSS40-102-37A8.0W16



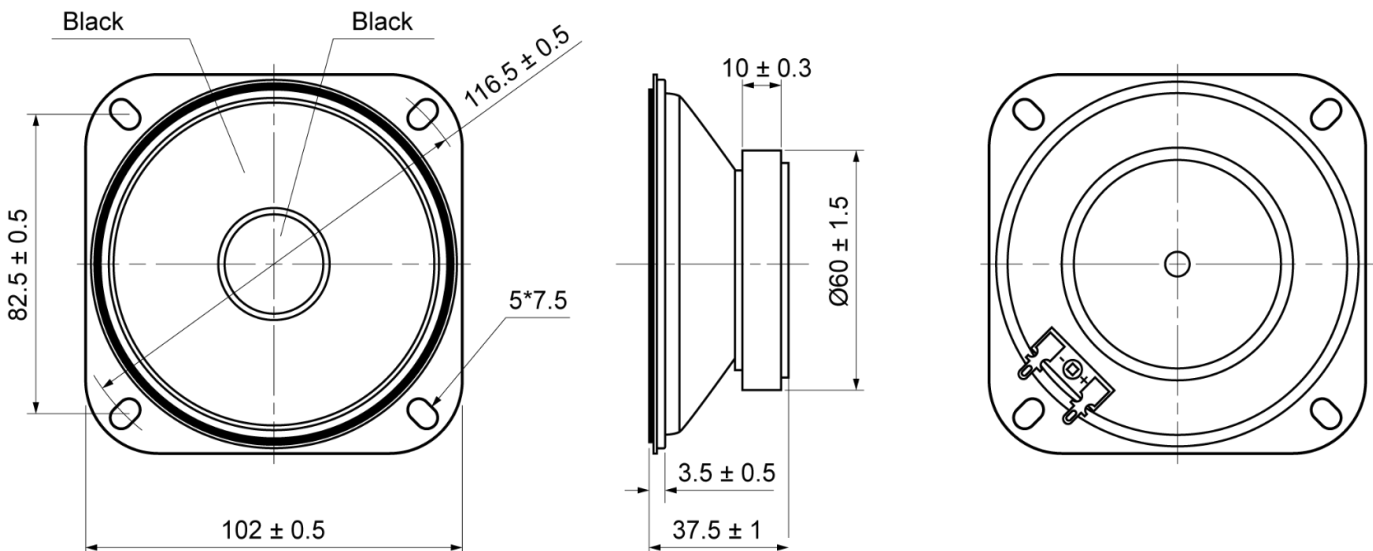
ELECTRICAL SPECIFICATIONS

	Condition	Parameter	Unit
Sound Pressure Level	at 0.1W, 0.1M [at 1.5, 2.0, 2.5, 3.0KHz]	100 ± 3	dB
Impedance	at 1V, 1000Hz	16 ± 15%	Ω
Rated Input Power		8	W
Max Input Power		10	W
Resonant Frequency (Fo)	at 1V	800 ± 20%	Hz
Frequency Range		F0 ~ 10000	Hz
Buzzer & Rattles	not be audible at sine wave between F0 ~ 10KHz	11.3	V
Operating Temperature		-30 ~ 60	°C
Magnet		Ferrite	
Frame Material		Metal	
Cone Material		Mylar (PET)	
Weight		250	g

MECHANICAL DRAWING

Dimensions in mm

Tolerance ±0.5mm Except Specified



Speaker

Model: OSS40-102-37A8.0W16

FREQUENCY RESPONSE CURVE

